

Crosby® Forged Hooks

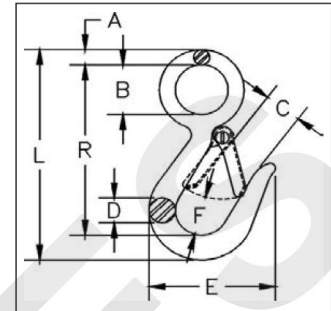


G-3315



G-3315 Snap Hooks

- Forged Carbon Steel -- Quenched and Tempered.
- Pressed steel latches and stainless steel springs, bolts and nuts.
- For replacement latch kit, order Stock No. 9900299.
- Hook Body -- Galvanized.



Hook Size (in.)	G-3315 Stock No.	Working Load Limit (lbs.)*	Weight Each (lbs.)	Dimensions (in.)							
				A	B	C	D	E	F	L	R
7/16	1023056	750	.23	.25	.75	.75	.44	2.25	.75	3.94	3.25
9/16	1023074	1000	.48	.34	1.12	.81	.56	2.69	.88	4.75	3.84

*Ultimate Load is 4 times the Working Load Limit.

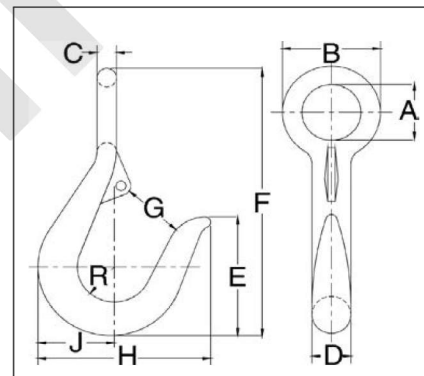


1210



1210 Round Reverse Eye Hook

- Forged Carbon Steel -- Galvanized.



Hook Size (in.)	1210 Stock No.	Working Load Limit (lbs.)*	Weight Each (lbs.)	Latch Stock No.	Dimensions (in.)									
					A	B	C	D	E	F	G	H	J	R
1/2	919019	300	.4	1090027	.81	1.38	.28	.50	1.62	4.00	.75	2.25	.97	.47
5/8	919037	400	.6	1090027	.94	1.56	.31	.62	2.00	4.50	.94	2.75	1.22	.59
3/4	919055	700	1.1	1090045	1.12	1.88	.38	.75	2.25	5.25	1.06	3.00	1.44	.69
7/8	919073	1200	1.6	1096468	1.19	2.06	.44	.88	3.00	6.50	1.25	3.38	1.63	.75
1 - 1-1/8	919091	1800	2.0	1090081	1.50	2.75	.62	1.12	3.50	8.00	1.50	4.38	2.00	.94
1-1/4 - 1-3/8	919135	2700	5.5	1090081	1.88	3.50	.81	1.38	4.00	9.12	1.62	5.00	2.38	1.06

*Ultimate Load is 4 times the Working Load Limit.



S-377



S-377 Barrel Hooks

- Forged Carbon Steel - Quenched and Tempered.
- Meets the performance requirements of Federal Specification RR-C-271F, Type V, Class 6, except for those provisions required of the contractor.

Working Load Limit Per Pair (Tons)*	S-377 Stock No. Per Pair	Weight Each Per Pair (lbs.)	Dimensions (in.)			
			I.D. of Eye	O.D. of Eye	Overall Length	Width of Lip
1	1028248	3.56	1.56	2.81	5.00	2.88

*Ultimate Load is 4 times the Working Load Limit.